



常州市多维电器有限公司
CHANGZHOU DUOWEI ELECTRIC CO., LTD.



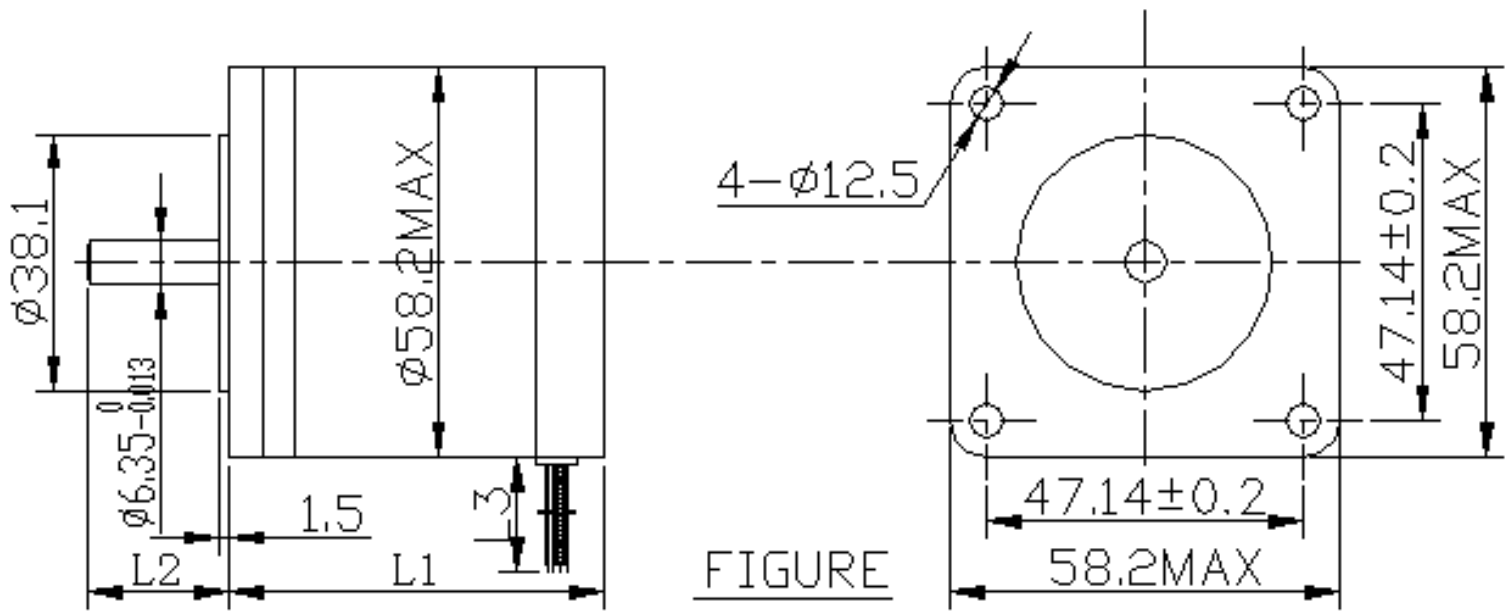
57BYG STEPPING MOTOR

1. INFORMATION AND APPLICATION

57BYG stepping motor is used in household appliances, medical equipment, stage lighting devices, the control system of industrial automation and some driving devices.



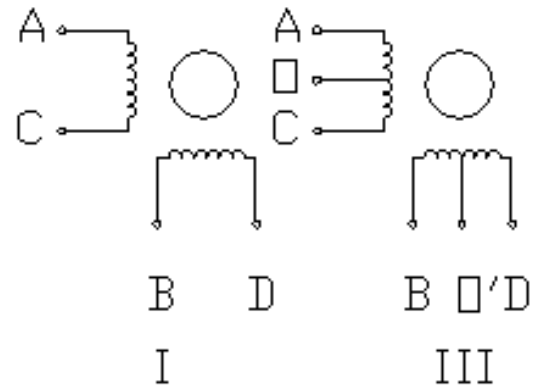
2. FIGURE AND WIRING DIAGRAM



FIGURE

Step Angle	1.8 Dec.
Insulation Resistance	500V DC 100MΩ Min
Insulation Class	B
Dielectric Strength	500V 50Hz 1Min
Ambient Temperature	-10~+55 °C

SPECIFICATIONS



WIRING DIAGRAM

3.SPECIFICATIONS

Model	Phase	Voltage (V)	Current (A)	Resistance (Ω)	inductance (mH)	Holding Torque (N.cm)	Detent Torque (N.cm)	Weight (Kg)	L1 (ΩL)	L2 (ΩL)	L3 (ΩL)	Wiring Diagram
57BYG069	4	6	1.2	5	8	58.8	7.06	0.65	56	21	400	III
57BYG007	4	12	0.38	32	30	29.4	3.33	0.45	50.5	21	300	III
57BYG008	4	4	1.3	3.1	4.4	49	5.88	0.6	50.5	20.5	400	III
57BYG060	2	2.6	2	1.3	3	61.7	5.88	0.6	56	21	300	I
57BYG085	2	12	0.38	32	62	35.28	3.33	0.45	40.5	21	300	I
57BYG085-1	2	14	0.34	41	70	35.28	3.33	0.45	40.5	21	300	I



CHANGZHOU DOUWEI ELECTRIC CO.,LTD.

Address: 8 Shushang Industrial Zone of Luoyang Town, Wujin, Jiangsu, China. Post Code: 213104

Web: <http://www.duoweimotor.com>

E-mail: fzdzj@public.cz.js.cn

Tel:0086-519-8793958

Fax:0086-519-8793968

